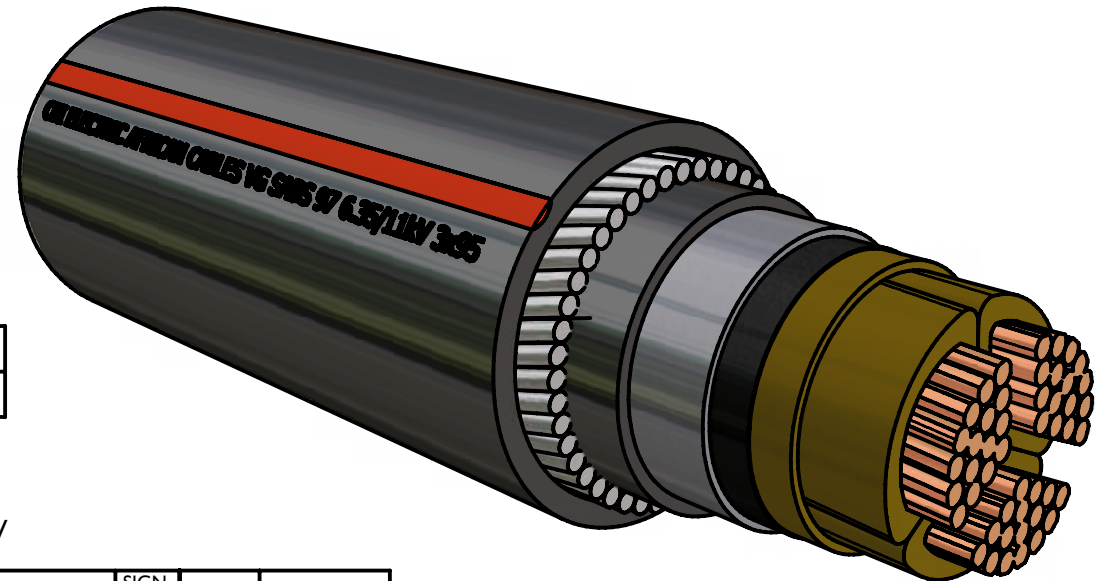
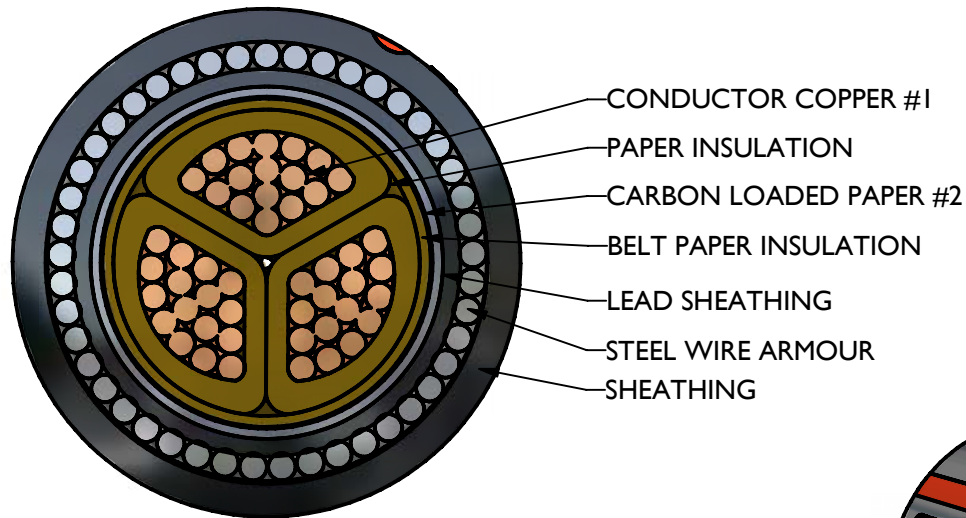


FOR TENDER PURPOSES ONLY



VOLTAGE RATING SIZE RANGE

FIF	6350/11000V	25-300
FIH	12700/22000V	50-300
FIJ	19000/33000V	95-300

FINISH CODES

111	FRPVC SWA FRPVC
212	LHFRPVC SWA LHFRPVC

#1 FOR SMALLER CROSS SECTIONS THE CONDUCTORS ARE CIRCULAR
#2 CARBON PAPER CONDUCTOR SCREEN OPTIONAL FOR 6350/11000V

REVISIONS

		SIGN	DRWN	Ichardt Steyn
1	CHANGED 2D DWG TO 3D	DATE 15 01.09.05	DATE	2005/09/01
			CKD	
			APPD	
			DATE	

 PILC INSULATED THREE CORE BELTED
ARMOURED CABLE, SANS 97,
TABLE 15, 16, 17, 18

FIFC_15111 D1



POWER BY INNOVATION... INNOVATION THROUGH PARTNERSHIPS

A member of the REUNERT Group

