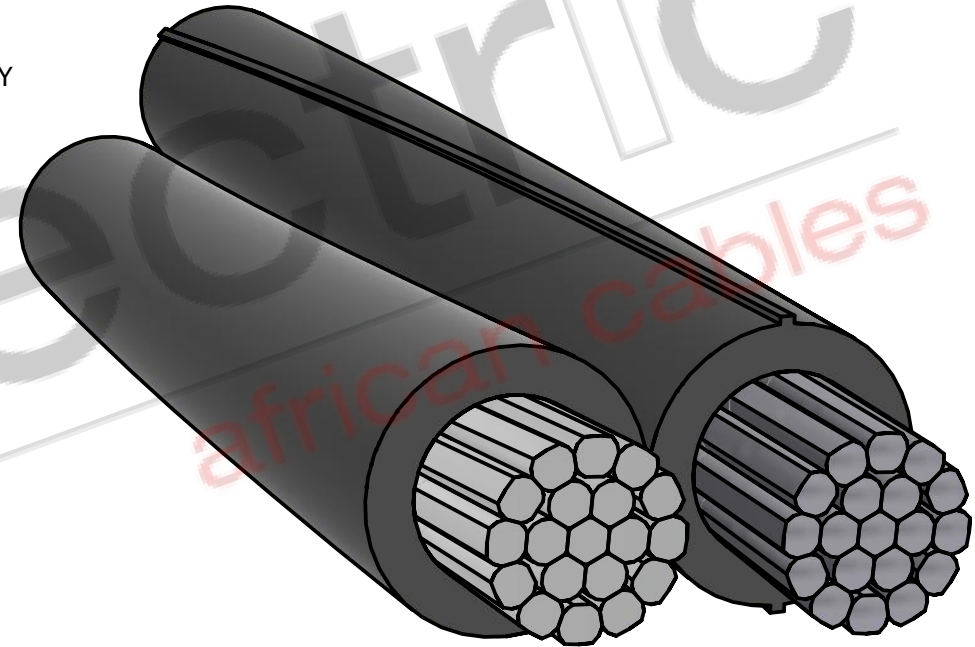
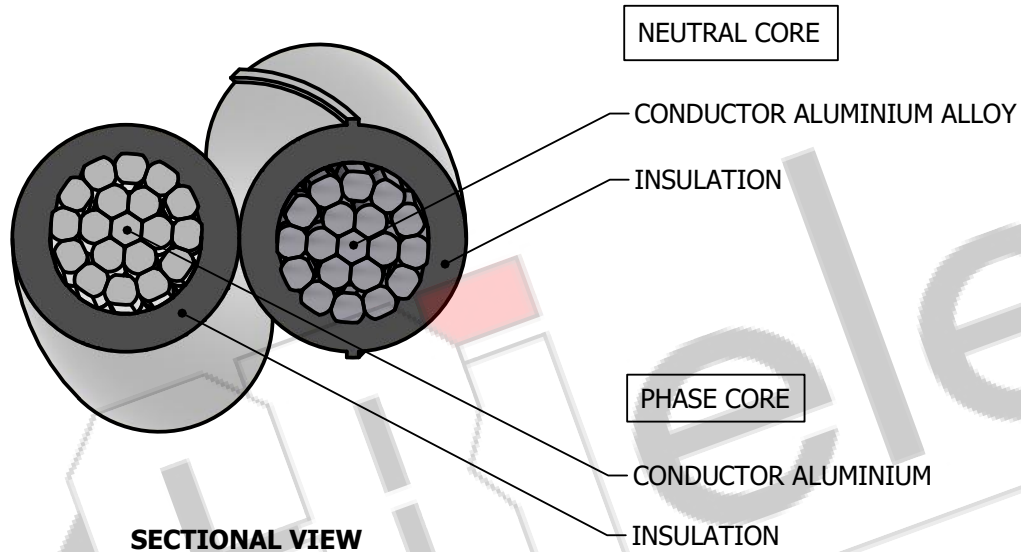


FOR PUBLIC VIEWING ONLY



| NO | VOLTAGE RATING | SIZE RANGE | NO | DESCRIPTION |
|-----|----------------|------------|-----|-------------------------------------|
| F7C | 600/1000V | 25 - 150 | SA0 | SANS 1418 SELF SUPPORT NO AUXILIARY |

| NO. | REVISION | SIGN | DRAWN BY | MARK V GIANI | TITLE | CABLE CODE | REV |
|-----|----------|------|----------|--------------|--|------------|-----|
| | | DATE | | | | | |
| | | | DATE | 08/04/2019 | XLPE INSULATED SINGLE CORE + SELF SUPPORT NO AUXILIARY ABC CABLE SANS 1418 | F7CA2_SA0 | R0 |
| | | | CHECKED | | | | |
| | | | APPROVED | | | | |
| | | | DATE | | | | |

POWER BY INNOVATION ... INNOVATION THROUGH PARTNERSHIPS

 PO Box 172, Vereeniging 1930 | Steel Road, Peacehaven, Vereeniging 1939 | South Africa
 Tel: +27 16 430 6000 | Fax: +27 16 423 6103 | www.cbi-electric.com

B-BBEE Level 1

 A member of the **REUNERT** Group
 A division of ATC (Pty) Ltd
 Registration No. 1955/003773/07